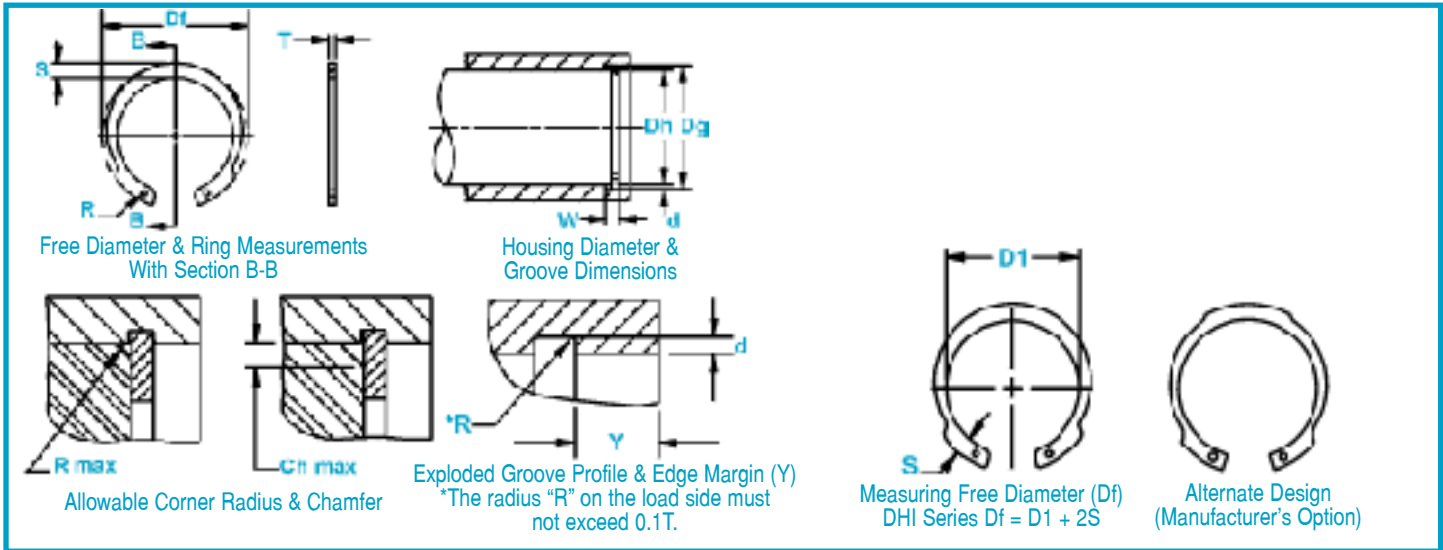




DHI Rings

Axially Assembled, Internal, Metric

The inverted position of the lugs affords greater clearance than the basic external retaining ring.



RING NO.	HOUSING DIAMETER		GROOVE SIZE					RING SIZE & WEIGHT				SUPPLEMENTARY DATA						
	Dh	Dg	Tol.	W Min.	d	T	Tol.	FREE H DIAMETER		MAX. SEC.	OLE DIA.	WEIGHT	EDGE MARGIN	THRUST LOAD Ring	THRUST LOAD Groove	Allowable Rad./Cham.	Max. load w/ R/Ch. Max.	
								Df	Tol.									S
DHI-12	12	12.6		0.70	0.30	0.60	-0.05	13.1		1.8		1.0	0.25	0.9	1.8	0.75	0.8	1.0
DHI-15	15	15.7	+0.11	0.90	0.35	0.80		16.1		2.0		1.0	0.41	1.0	3.3	1.33	1.0	1.9
DHI-16	16	16.8		1.10	0.40	1.00		17.3		2.1		1.3	0.53	1.2	5.2	1.67	1.0	3.1
DHI-17	17	17.8		1.10	0.40	1.00		18.3	+0.42	2.1		1.3	0.58	1.2	5.8	1.70	1.0	3.0
DHI-18	18	19.0		1.10	0.50	1.00		19.5	-0.13	2.2		1.3	0.62	1.5	6.3	1.78	1.0	3.0
DHI-19	19	20.0		1.10	0.50	1.00		20.5		2.2		1.3	0.66	1.5	6.6	2.50	1.0	2.8
DHI-20	20	21.0	+0.15	1.10	0.50	1.00		21.5		2.3		1.3	0.80	1.5	7.0	2.66	1.0	2.9
DHI-21	21	22.0		1.10	0.50	1.00		22.5		2.4		1.3	0.81	1.5	7.4	2.73	1.0	2.8
DHI-22	22	23.0		1.10	0.50	1.00		23.5		2.4		1.3	0.83	1.5	7.5	2.80	1.0	2.8
DHI-24	24	25.2		1.30	0.60	1.20		25.9		2.8		1.5	1.30	1.8	14.5	3.68	1.0	4.8
DHI-25	25	26.2		1.30	0.60	1.20		26.9	+0.42	2.8		1.5	1.40	1.8	14.8	4.00	1.0	5.0
DHI-26	26	27.2	+0.21	1.30	0.60	1.20	-0.06	27.9	-0.21	3.0		1.5	1.50	1.8	15.3	4.17	1.0	5.2
DHI-27	27	28.4		1.30	0.70	1.20		29.1		3.0		1.5	1.53	2.1	15.0	5.00	1.0	5.1
DHI-28	28	29.4		1.30	0.70	1.20		30.1		3.1		1.5	1.80	2.1	15.3	5.10	1.0	5.2
DHI-30	30	31.4		1.30	0.70	1.20		32.1		3.2		1.5	2.03	2.1	14.9	5.50	1.0	5.1
DHI-32	32	33.7		1.30	0.85	1.20		34.4	+0.50	3.3		1.5	2.05	2.5	14.1	7.00	1.0	4.9
DHI-33	33	34.7		1.30	0.85	1.20		35.5	-0.25	3.3		1.5	2.35	2.5	13.8	7.30	1.0	4.8
DHI-34	34	35.7		1.60	0.85	1.50		36.5		3.4		1.7	2.95	2.5	24.0	7.50	1.5	6.0
DHI-35	35	37.0		1.60	1.00	1.50		37.8		3.4		1.7	3.20	3.0	26.4	9.20	1.5	6.3
DHI-36	36	38.0	+0.25	1.60	1.00	1.50		38.8		3.6		1.7	3.23	3.0	27.5	9.70	1.5	6.6
DHI-38	38	40.0		1.60	1.00	1.50		40.8		3.8		1.7	3.68	3.0	28.0	10.20	1.5	6.7
DHI-40	40	42.5		1.85	1.25	1.75		43.5	+0.90	4.2		2.0	4.75	3.8	45.5	13.50	2.0	8.4
DHI-42	42	44.5		1.85	1.25	1.75		45.5	-0.39	4.2		2.0	5.20	3.8	45.5	14.10	2.0	8.5
DHI-45	45	47.5		1.85	1.25	1.75		48.5		4.2		2.0	6.00	3.8	44.0	15.00	2.0	8.4
DHI-47	47	49.5		1.85	1.25	1.75		50.5		4.7		2.0	6.50	3.8	45.0	15.80	2.0	8.7
DHI-48	48	50.5		1.85	1.25	1.75		51.5		4.7		2.0	7.00	3.8	48.0	16.00	2.0	9.1
DHI-50	50	53.0		2.15	1.50	2.00		54.2		5.2		2.5	8.50	4.5	69.0	20.00	2.0	13.4
DHI-52	52	55.0		2.15	1.50	2.00		56.2		5.2		2.5	9.00	4.5	66.5	20.80	2.0	13.3
DHI-55	55	58.0		2.15	1.50	2.00		59.2		5.2		2.5	10.00	4.5	66.0	22.20	2.0	13.3
DHI-57	57	60.0		2.15	1.50	2.00		61.2	+1.10	5.2		2.5	10.25	4.5	65.0	23.00	2.0	13.1
DHI-58	58	61.0	+0.30	2.15	1.50	2.00		62.2	-0.46	5.2		2.5	10.50	4.5	64.0	23.30	2.0	12.9
DHI-60	60	63.0		2.15	1.50	2.00		64.2		5.2		2.5	11.25	4.5	62.0	24.20	2.0	12.7
DHI-62	62	65.0		2.15	1.50	2.00		66.2		5.2		2.5	11.75	4.5	60.0	25.00	2.0	12.3
DHI-65	65	68.0		2.65	1.50	2.50		69.2		5.7		2.5	16.25	4.5	122.0	25.80	2.5	20.6
DHI-67	67	70.0		2.65	1.50	2.50		71.5		5.7		2.5	17.30	4.5	122.0	26.80	2.5	20.8
DHI-68	68	71.0		2.65	1.50	2.50		72.5		5.7		2.5	17.75	4.5	123.0	27.20	2.5	21.0
DHI-72	72	75.0		2.65	1.50	2.50		76.5		6.0		2.5	19.60	4.5	119.0	28.80	2.5	20.8
DHI-80	80	83.5		2.65	1.75	2.50		85.5		6.0		2.5	22.90	5.3	110.0	37.40	2.5	19.6
DHI-85	85	88.5		3.15	1.75	3.00		90.5	+1.30	6.6		3.0	30.00	5.3	176.0	39.70	3.0	27.2
DHI-90	90	93.5	+0.35	3.15	1.75	3.00	-0.08	95.5	-0.54	6.6		3.0	33.00	5.3	169.0	42.00	3.0	26.6
DHI-95	95	98.5		3.15	1.75	3.00		100.5		7.4		3.0	37.50	5.3	168.0	43.50	3.0	27.0
DHI-100	100	103.5		3.15	1.75	3.00		105.5		7.4		3.0	41.90	5.3	165.0	46.70	3.0	26.8

*** FOR PLATED RINGS, ADD 0.05 TO THE LISTED MAXIMUM THICKNESS. MAXIMUM RING THICKNESS WILL BE A MINIMUM OF 0.005 LESS THAN THE LISTED GROOVE WIDTH (W) MINIMUM.

ALL DIMENSIONS IN MILLIMETERS.

HARDNESS RANGES: CARBON STEEL RINGS (SAE 1060-1090)

RING TYPE	SIZE RANGE	HV	HRC
DHI	12-48	470-580	47-54
	50-100	435-530	44-51